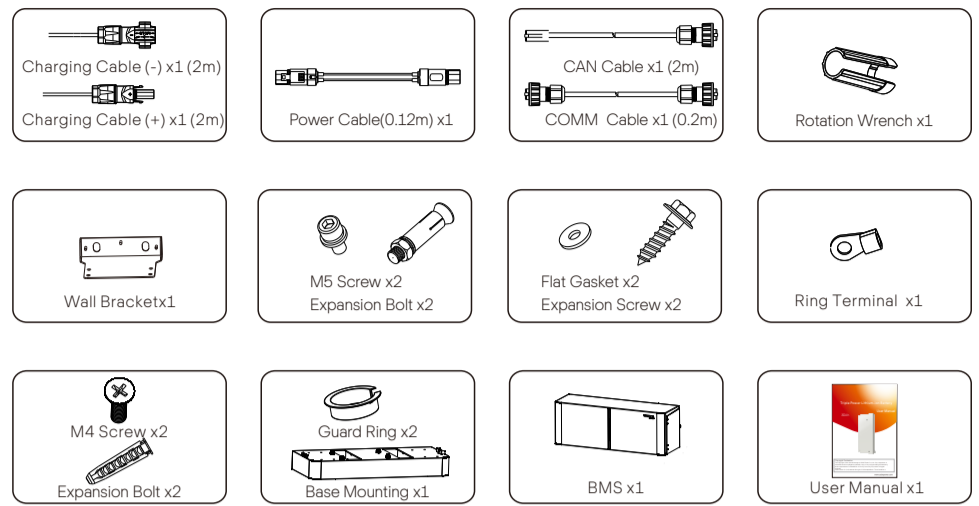


Quick Installation Guide

Triple Power Lithium-ion Battery

I Packing List (BMS)

Note: The Quick Installation Guide briefly describes required installation steps. If you have any questions, refer to the User Manual enclosed with the BMS for more detailed information.

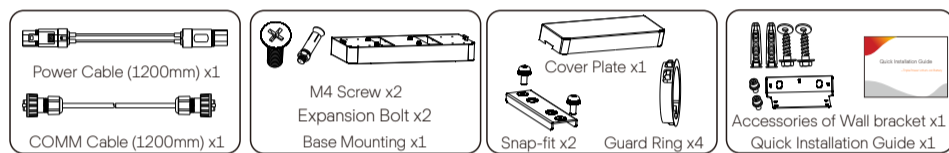


II Packing List (Battery Module)

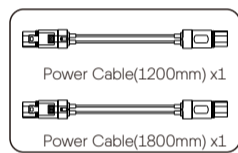
One Battery Module (HV10230 x1):



Accessories (1) of the three and four Battery Modules (HV10230x3/4):



Accessories (2) of the three and four Battery Modules (HV10230x3/4):



Note: The two power cables need to be purchased separately

III Installation Prerequisites

Ensure that the installation location meets the following conditions:

- The building is designed to withstand earthquakes
- The location is far from the sea to avoid salt water and humidity, over 1000m
- The floor is flat and level
- There are no flammable or explosive materials, at a minimum of 0.9m
- The ambience is shady and cool, away from heat and direct sunlight
- The temperature and humidity remain at a constant level
- There is minimal dust and dirt in area
- There are no corrosive gases present, including ammonia and acid vapor
- Where charging and discharging, the ambient temperature ranges from 0°C to 45°C

In practice, the requirements of battery installation may be different due to environment and locations. In that case, follow up the exact requirements of the local laws and standards.



NOTE!

The Triple Power battery module is rated at IP65 and thus can be installed outdoors as well as indoors. However, if installed outdoors, do not allow the battery pack to be exposed to direct sunlight and moisture.

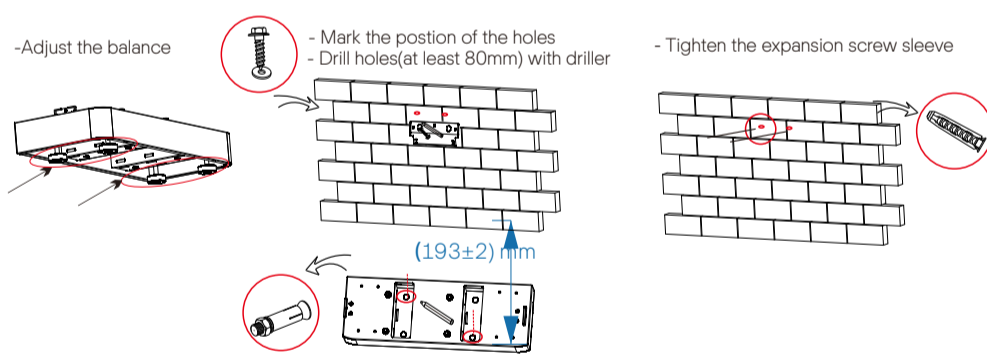


NOTE!

If the ambient temperature exceeds the operating range, the battery pack will stop operating to protect itself. The optimal temperature range for operation is -10°C to 50°C. Frequent exposure to harsh temperatures may deteriorate the performance and lifetime of the battery module.

IV Floor/Wall Mounting

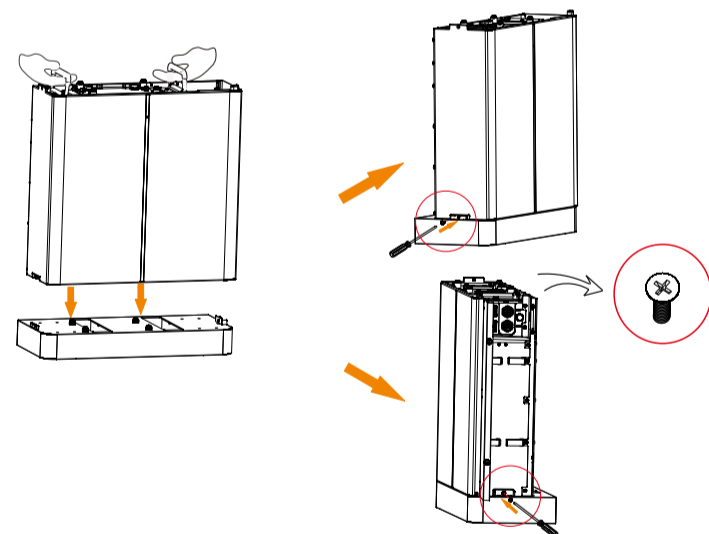
Make sure the wall is strong enough to withstand the weight of battery.



V Battery Module Installation to Base Mounting

Step 3: Match the battery with base mounting

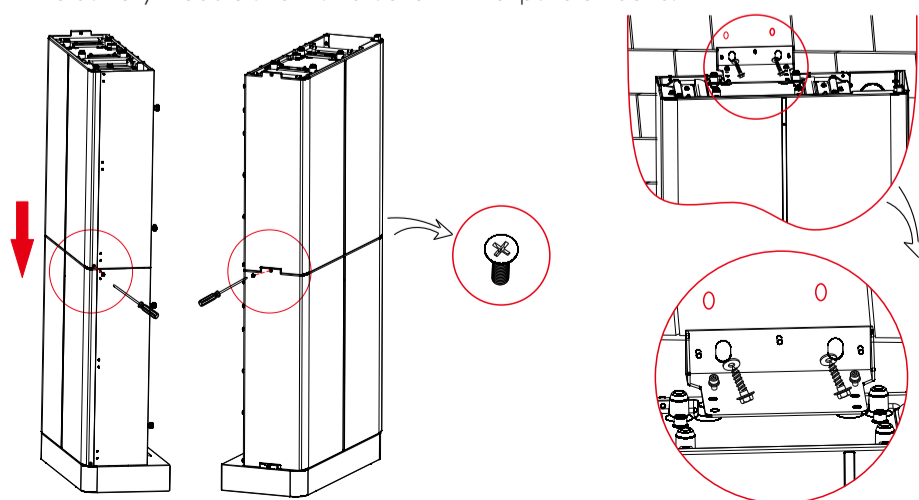
Place the BMS on top of the battery module and affix it with M4 screws using an L-type wrench. Ensure that the BMS and battery unit align on matching sides as shown in the diagram below.



VI Battery Module Installation to Module

For two battery modules:

- Place the second one on top of the module and two sides are locked with M4 screws.
- Fix the battery module and wall bracket with expansion bolts.

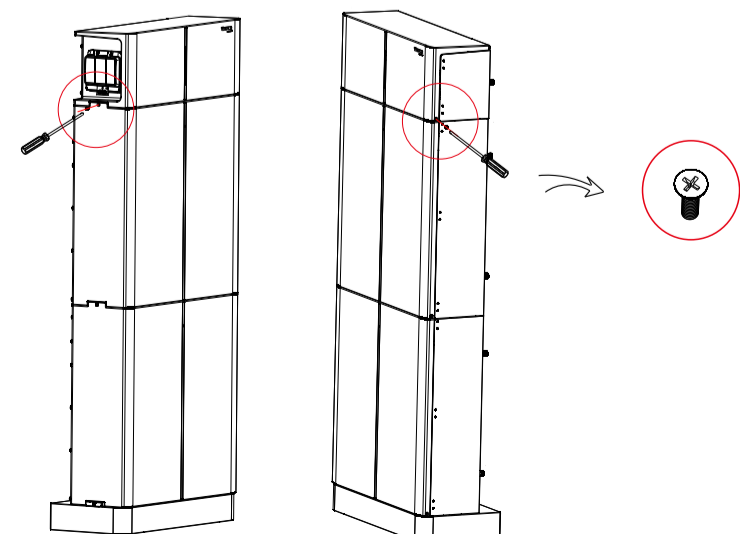


Note: One battery module or connected to the BMS, need to be installed a bracket to fix.

VII BMS Installation to Battery Module

Match the BMS to the battery modules

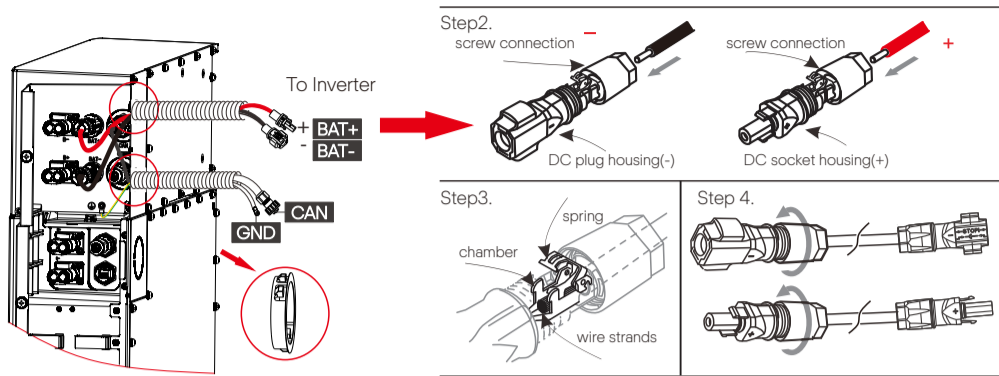
- Place the BMS on top of the module and two sides are locked with M4 screws(N).



VIII

Connecting Cables to Inverter

BMS to Inverter:
BAT+ to BAT+(A:2m),
BAT- to BAT-(B:2m),
CAN to CAN(D:2m)



Step1. Strip the cable(A/B:2m) to 15mm.

Step2. Insert the stripped cable up to the stop (negative cable for DC plug(-) and positive cable for DC socket(+) are live). Hold the housing on the screw connection.

Step3. Press down the spring clamp until it clicks audibly into place (You should be able to see the fine wire strands in the chamber)

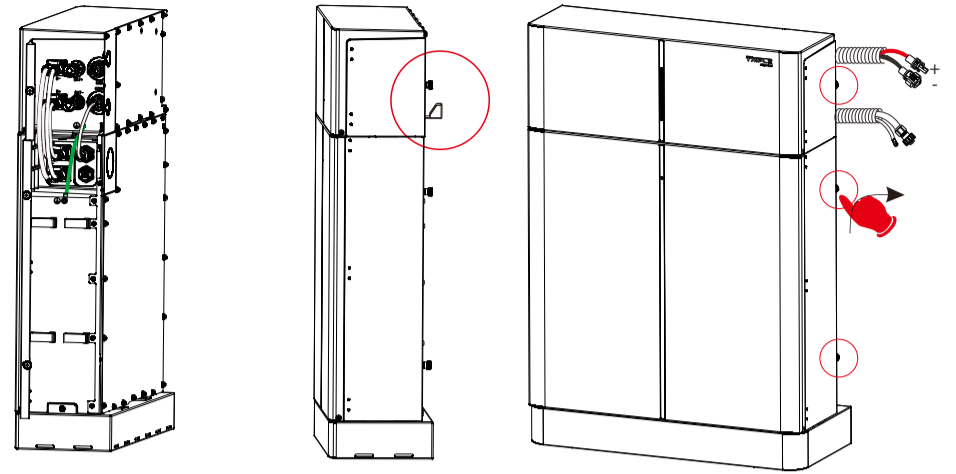
Step4. Tighten the screw connection(tightening torque:2.0±0.2Nm)

IX

Connecting Cables to One Battery Module

Ensure that both ends of the cables are connected to the correct connector, which are on the right side of the BMS and battery module.

- BMS to Slave1: B+ to B+(C:1200mm), B- to B-(A1:690mm), COMM to COMM1(E:200mm)
- The BMS and battery modules need to be grounded.



X

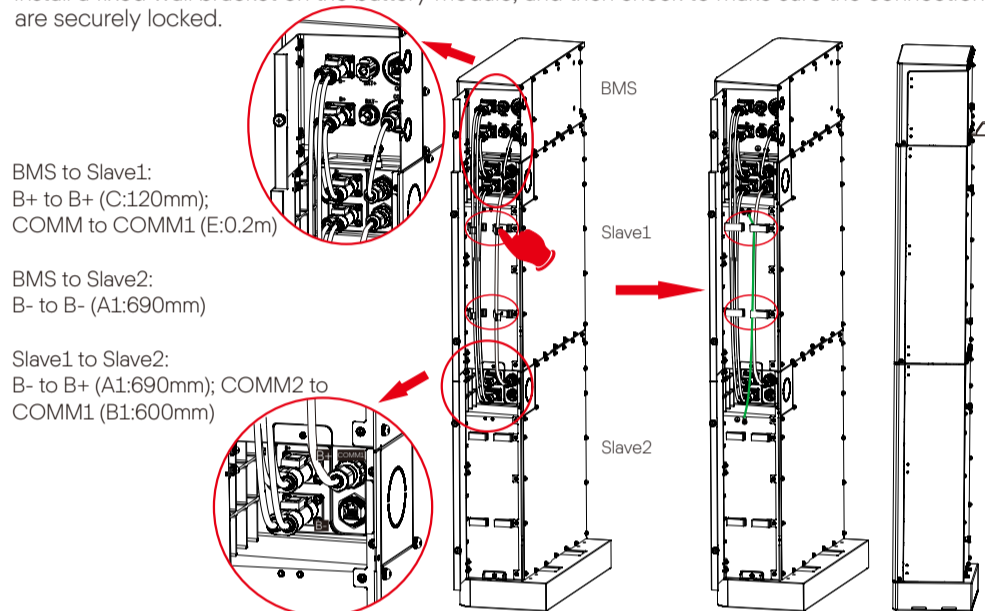
Connecting Cables to Two Battery Modules

Install a fixed wall bracket on the battery module, and then check to make sure the connections are securely locked.

BMS to Slave1:
B+ to B+ (C:120mm);
COMM to COMM1 (E:0.2m)

BMS to Slave2:
B- to B- (A1:690mm)

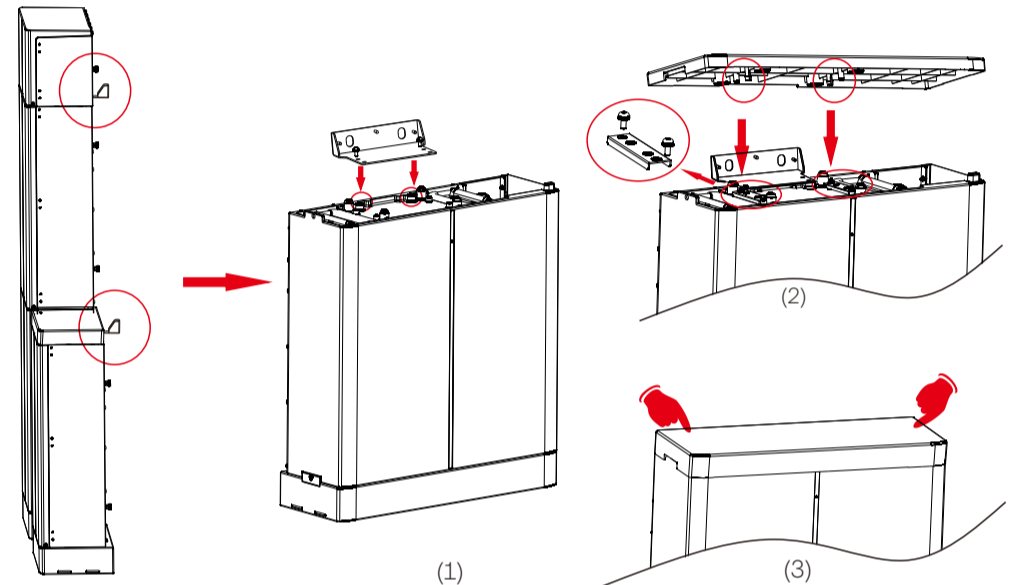
Slave1 to Slave2:
B- to B+ (A1:690mm); COMM2 to
COMM1 (B1:600mm)



XI

Connecting Cables to Three Battery Modules

Install a fixed wall bracket on the battery modules and the cover plate of the third battery module.



XII

Connecting Cables to Three Battery Modules

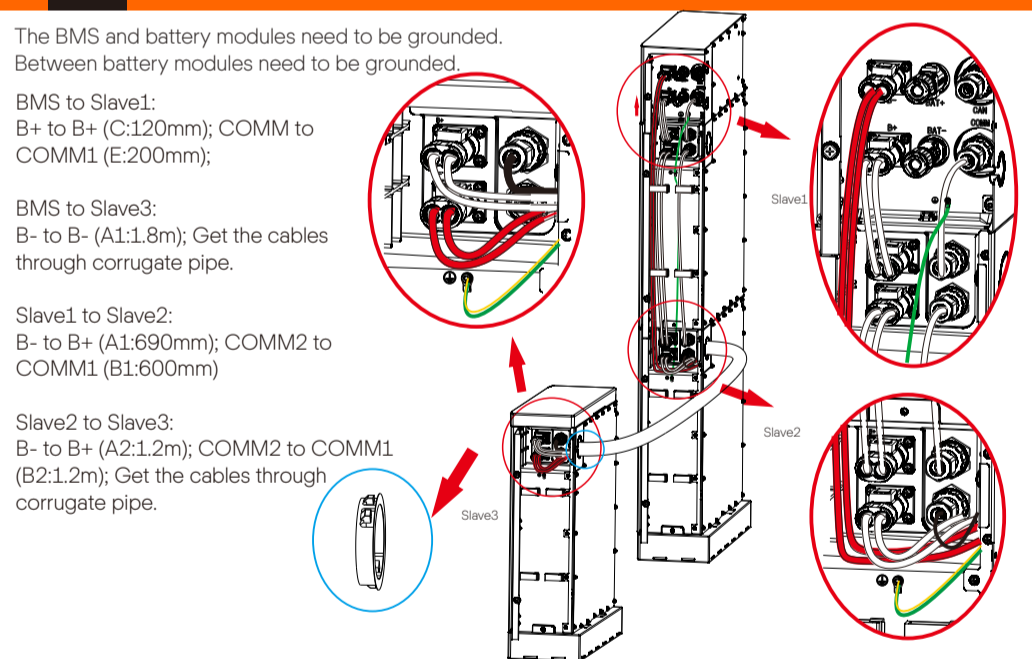
The BMS and battery modules need to be grounded.
Between battery modules need to be grounded.

BMS to Slave1:
B+ to B+ (C:120mm); COMM to
COMM1 (E:200mm);

BMS to Slave3:
B- to B- (A1:1.8m); Get the cables
through corrugate pipe.

Slave1 to Slave2:
B- to B+ (A1:690mm); COMM2 to
COMM1 (B1:600mm)

Slave2 to Slave3:
B- to B+ (A2:1.2m); COMM2 to COMM1
(B2:1.2m); Get the cables through
corrugate pipe.



XIII

Connecting Cables to Four Battery Modules

Install the fixed wall brackets on the battery modules
And then check to make sure the connections are securely locked.

BMS to Slave1:
B+ to B+ (C:120mm);COMM to COMM1 (E:200mm);

BMS to Slave4:
B- to B- (A3:1.2m), Get the cable through corrugate pipe.
Slave1 to Slave2:
B- to B+ (A1:690mm);COMM2 to COMM1 (B1:600mm);

Slave2 to Slave3:
B- to B+ (A3:1.2m);COMM2 to COMM1 (B2:1.2m);

Slave3 to Slave4:
B- to B+ (A1:690mm) and COMM2 to COMM1
(B2:1.2m).
Get the cables through corrugate pipe.

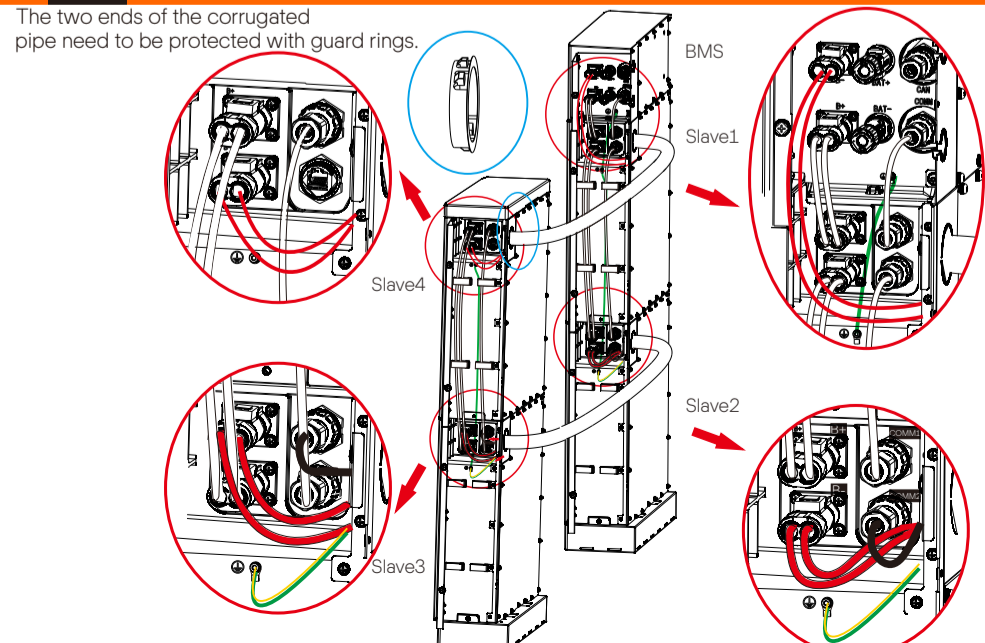
The BMS and battery modules need to be grounded.
Between battery modules need to be grounded.



XIV

Connecting Cables to Four Battery Modules

The two ends of the corrugated
pipe need to be protected with guard rings.



XV

Commissioning

If all batteries are used for the installation, follow these steps for beginning operation.

Verify the model number of each battery module to ensure that they are all the same model.

Once all battery module(s) are installed, follow these steps for beginning operation:

- 1) Open the cover board of the BMS
- 2) Move the circuit breaker switch to the ON position
- 3) Press the POWER button to turn on the T-BAT system
- 4) Turn on the AC switch of inverter

