

# Up to **10 X3-Hybrid G4 inverters** at your demand

Max. 150kW&460kWh

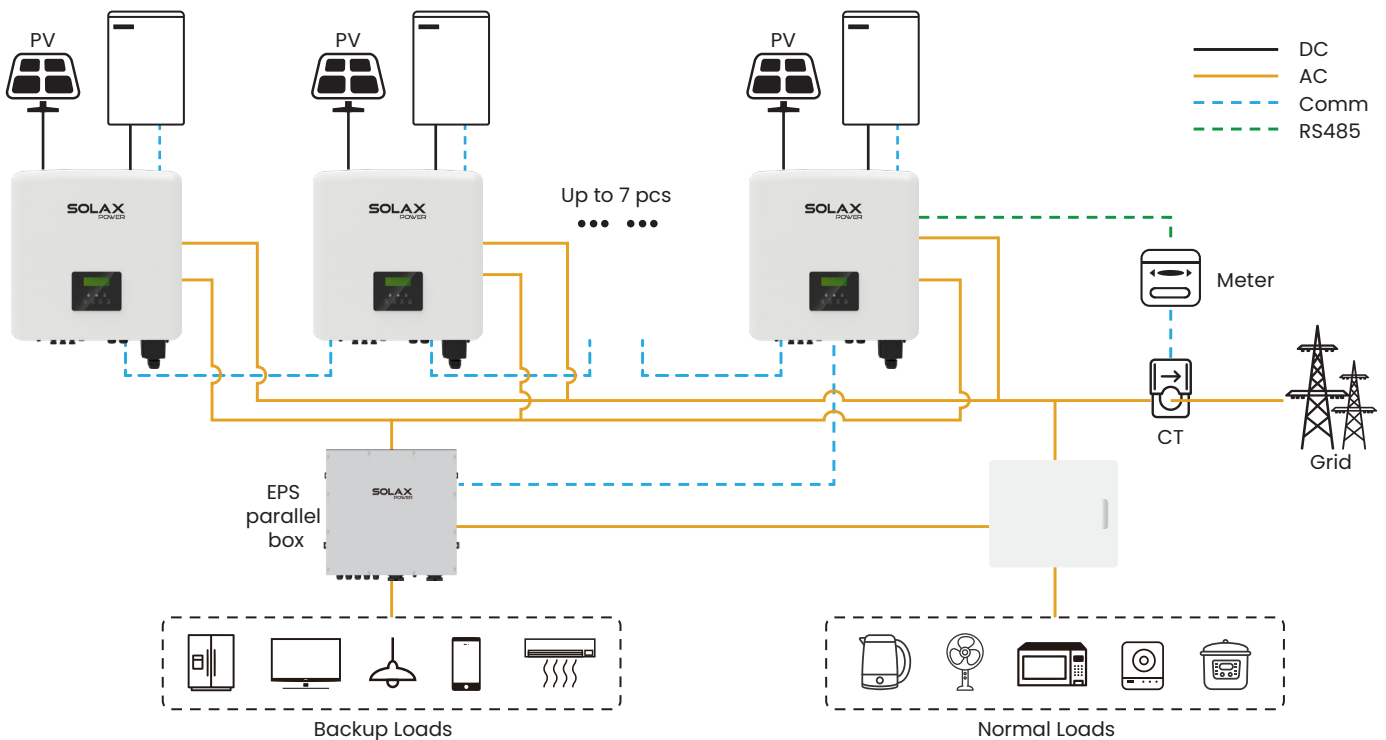


## Features

- On & Off-grid parallel function, up to 150kW
- VPP ready, ancillary service in power market
- Support smart scene function, intelligent loads management (e.g., Heat pump, EVC)
- Support 7×24h scheduling mode
- Dual peak limit value, flexible optimization of electricity bills



## I X3-HYBRID+T58 Storage capacity from **11.5kWh to 460kWh**



**DC INPUT**

Max. PV array power [Wp]	10000	12000	16000	20000	24000	30000
Max. PV input power (PV1+PV2) [Wp]	PV1:4000 / PV2:4000	PV1:5000 / PV2:5000	PV1:8500 / PV2:5000	PV1:10500 / PV2:6000	PV1:11000 / PV2:7000	PV1:11000 / PV2:7000
Max. PV input voltage [V]	1000	1000	1000	1000	1000	1000
Start output voltage [V]	200	200	200	200	200	200
Nominal input voltage [V]	640	640	640	640	640	640
MPP voltage range [V]	180 ~ 950	180 ~ 950	180 ~ 950	180 ~ 950	180 ~ 950	180 ~ 950
No. of MPP trackers / Strings per MPP tracker	2 (1 / 1)	2 (1 / 1)	2 (2 / 1)	2 (2 / 1)	2 (2 / 1)	2 (2 / 1)
Max. input current (input PV1 / input PV2) [A]	16 / 16	16 / 16	28 / 16	28 / 16	28 / 16	28 / 16
Max. short circuit current (input PV1 / input PV2) [A]	20 / 20	20 / 20	35 / 20	35 / 20	35 / 20	35 / 20

**AC INPUT & OUTPUT**

Nominal AC output power [W]	5000	6000	8000	10000	12000	15000
Max. AC output apparent power [VA]	5500	6600	8800	11000	13200	15000
Max. AC output current [A]	8.1	9.7	12.9	16.1	19.3	24.1
Max. AC input apparent power [VA]	10000	12000	16000	20000	20000	20000
Max. AC input current [A]	16.1	19.3	25.8	32.0	32.0	32.0
Nominal AC voltage [V]	415 / 240; 400 / 230; 380 / 220					
Nominal grid frequency [Hz]	50 / 60					
Displacement power factor	0.8 leading ~ 0.8 lagging					
THDi (rated power) [%]	< 3					

**BATTERY DATA**

Battery type	Lithium-ion battery / Lead-acid Battery					
Battery voltage range [V]	180 ~ 800					
Max. continuous charge / discharge current [A]	30					

**EPS(OFF-GRID OR BACK-UP) OUTPUT (WITH BATTERY)**

Nominal output power [W]	5000	6000	8000	10000	12000	15000
Peak apparent power [VA]	12000, 10s	12000, 10s	18000, 10s	18000, 10s	22500, 10s	22500, 10s
Max. continuous current [A]	7.2	8.7	11.6	14.5	17.5	21.8
Nominal voltage [V]; Frequency [Hz]	400 / 230; 50 / 60					
Switch time [ms]	< 10					
Parallel operation	YES					

**SYSTEM DATA**

Max. efficiency [%]	98.0					
Euro. efficiency [%]	97.7					
Battery charge / discharge efficiency [%] <sup>①</sup>	98.5 / 97.5					
Degree of protection	IP65					
Operating temperature range [°C]	-35 ~ +60 (Derating above +45)					
Max. operation altitude [m]	< 3000					
Relative humidity [%]	0 ~ 100					
Typical noise emission [dB]	< 35			< 45		
Storage temperature [°C]	-40 ~ +70					
Dimensions (WxHxD) [mm]	503 x 503 x 199					
Net weight [kg]	30					
Cooling concept	Nature cooling			Smart cooling		
Communication interfaces	CT / Meter (optional), External control RS485, Pocket WiFi (Optional: Pocket Lan / 4G), DRM, USB Upgrade, NTC (optional)					

**POWER CONSUMPTION**

Internal consumption (night) [W]	< 40W for standby, < 5W for idle					
----------------------------------	----------------------------------	--	--	--	--	--

**STANDARD**

Safety	EN/IEC62109-1 / -2					
EMC	EN61000-6-1 / 2 / 3 / 4; EN61000-3-2 / 3 / 11 / 12					
Certification	VDE4105, G99, G98, AS4777, EN50549, CEI 0-21, IEC61727, PEA / MEA, NRS-097-2-1, RD1699, TOR					

①: PV to BAT Max. efficiency 98.5%, BAT to AC Max. efficiency 97.5%.

V1.0. Information may be subject to modify without notice.